

MT MONOPOLY™
T A P W A R E

WASHING MACHINE STOP - MODULAR QUARTER TURN CERAMIC DISC

PWAD

Series

Specifications

- Available in 32mm and 40mm outlet
- 40mm outlet

Features

- Watermark approved
- Available in overflow and non overflow
- Two part adjustable



Austworld
PO Box 311
Ashmore City
QLD 4214

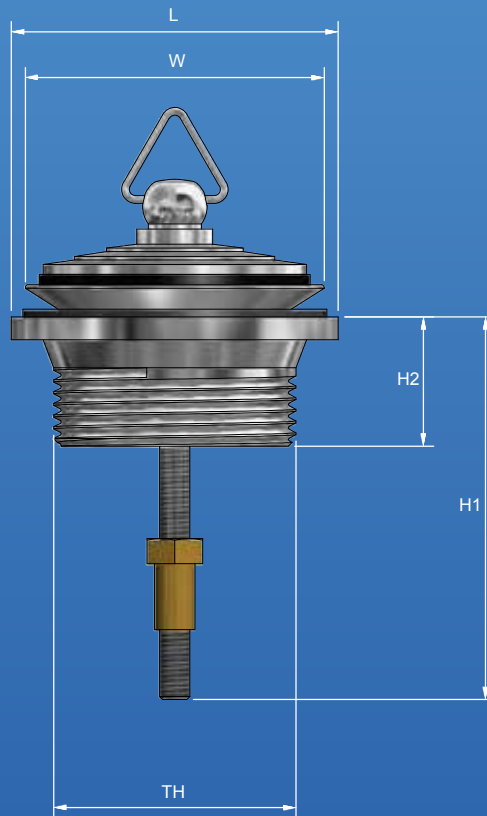
P: 1300 780 430
F: 1300 780 441
E: info@austworld.com.au
W: www.austworld.com.au



DISCLAIMER: AS PART OF AUSTWORLD COMMITMENT TO QUALITY PRODUCTS, AUSTWORLD RESERVES THE RIGHT TO ALTER THE DESIGN OR SPECIFICATION OF ITS PRODUCT WITHOUT NOTICE. THE PRODUCT IMAGES SHOWN ARE FOR ILLUSTRATION PURPOSES ONLY AND MAY NOT BE AN EXACT REPRESENTATION OF THE PRODUCT

Ver 1.0

WASHING MACHINE STOP - MODULAR QUARTER TURN CERAMIC DISC



Sizing Chart MM

	H1	H2	W	L	TH
PW32AD	76	26	54	65	G 1 1/2"
PW40AD	73	26	59	65	G 1 1/2"