

The Australian designed and manufactured, **Autoflo Pillar-Glow** Mains Power Sensor Tap is suitable for a range of applications ranging from public commercial areas such as recreation and shopping centres, to private commercial bathrooms particularly in the entertainment industry, and any application where a striking bathroom feature is as important as hygiene and water savings. The robust construction is complemented with an array of features ensuring consistent performance. The ability to self-range to its environment, the hygienic self-flush performed every 24 hours, the capability for multiple tap installations from one power source, coupled with its unique glow are just some of what sets the **Autoflo Pillar-Glow** Mains Power Sensor Tap apart.

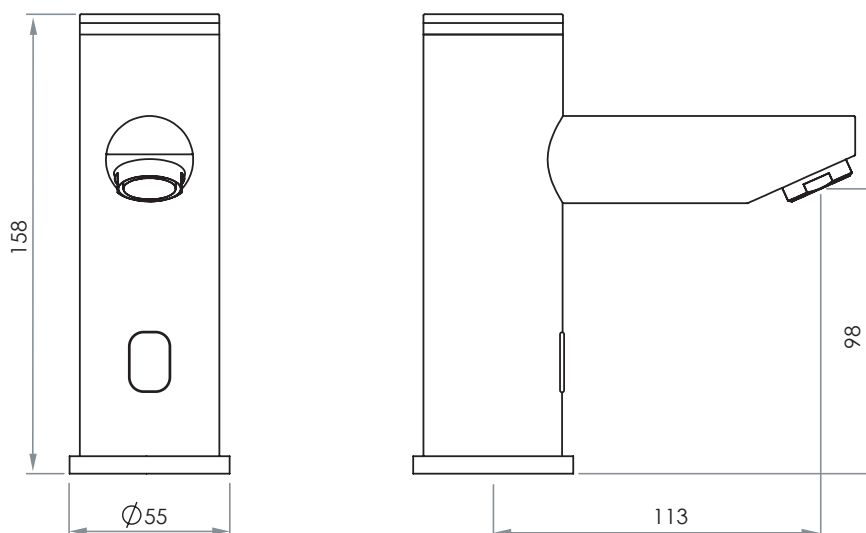
## FEATURES

- Operating range self-initialisation
- Accessories available for multiple tap installations from one power source
- Illuminated light ring creates unique bathroom ambience
- Auto Hygienic Self Flush every 24 hours
- Dual stage water filters to avoid solenoid blockages
- Optional remote control for adjustment from factory settings



**Order Code: 100-0181**

## TYPICAL DIMENSIONS



Every effort is made to ensure specifications are correct at the time of printing. Autoflo Pty Ltd reserves the right to make changes without prior notice. All measurements shown are in millimetres.

Proudly distributed by

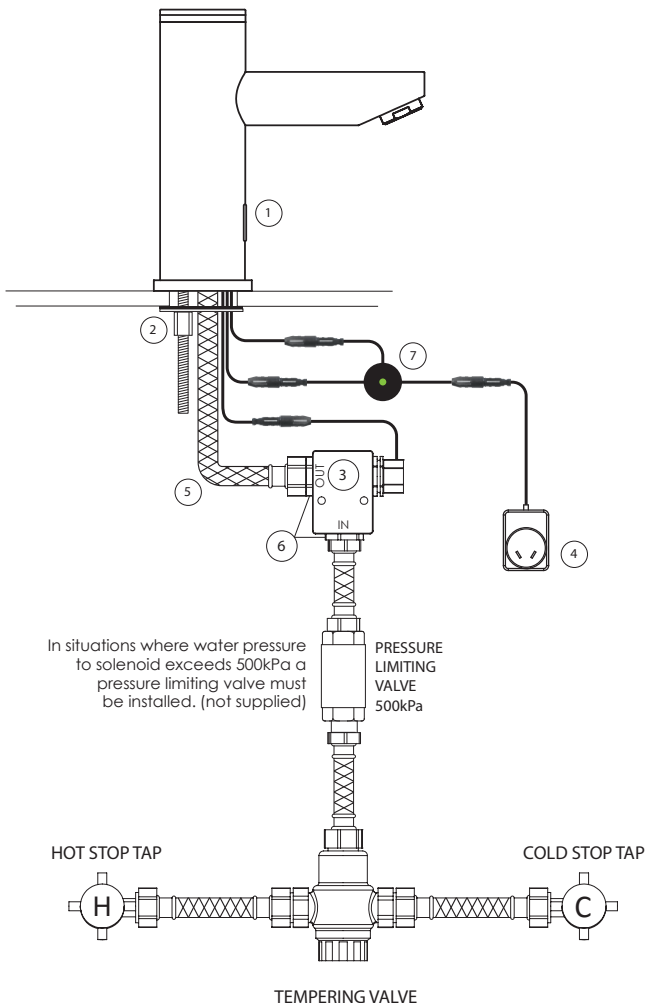


## TECHNICAL SPECIFICATIONS

- TAP BODY - Solid brass chrome plated
- SENSOR RANGE - 120mm factory set
- OPERATING SUPPLY - 9v DC Power Pack
- OPERATING PRESSURE - 50 to 500kPa
- RUN TIME - Continuous 2 minutes max.
- FLOW RATING - 6.5 litres per minute
- SOLENOID - Latching/soft closing, brass body
- MAX TEMPERATURE - 50°C



## TYPICAL INSTALLATION



## COMPONENTS SUPPLIED

	Item Code	Description
1	300-5102	Pillar Glow body with sensor
2	300-0132	Pillar mounting kit
3	300-0110	6V Solenoid Valve
4	300-0225	9V Power Pack
5	600-0145	M10 to ½" BSP flex 500mm (1)
6	600-0133	½" BSP M/M nipple C/P (2)
7	300-5127	Pillar Glow Coupling Module

\*Surface finish variations available on special order.  
Conditions Apply.



Autoflo Pty Ltd  
www.autoflo.com.au

Proudly distributed by

