



GEMSTONE SINK MIXER

DESCRIPTION

Gemstone Sink Mixer

FEATURES

- Modern 2 tone finish
- Solid brass construction
- Timeless design
- Taiwanese ceramic disc cartridge for smooth long life operation
- 10 year limited domestic warranty on mixer body, cartridge and chrome finish, 5 years on coloured finishes. Includes 1 year free labour from date of purchase

DETAILS

35mm cartridge

WELS 3 star 8L/m

Part Code: AG-201

Available Finishes: White / Chrome

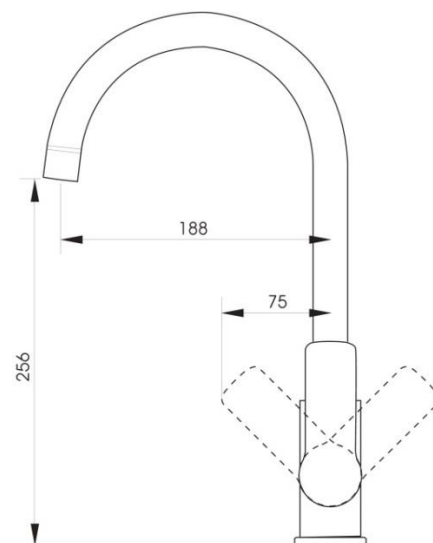
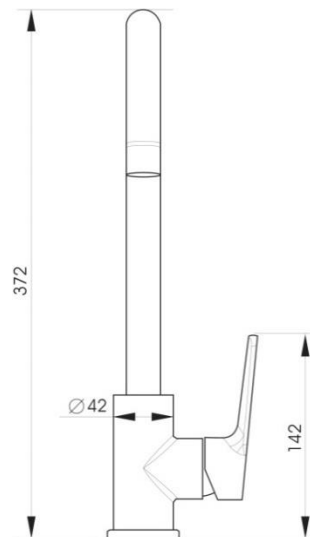
Recommended working pressure:

Min 150 – Max 500KPa

Note: If the pressure exceeds or is likely to exceed 500KPa, an approved pressure limiting device must be fitted.

Maximum hot water temperature 80°

TECHNICAL DETAILS



Note: Illustrations and specifications may vary from time to time