



DETAILS

35mm cartridge

Part Code: AG-401

Available Finishes: White / Chrome

Recommended working pressure:

Min 150 – Max 500KPa

Note: If the pressure exceeds or is likely to exceed 500KPa, an approved pressure limiting device must be fitted.

Maximum hot water temperature 80°

GEMSTONE WALL MIXER

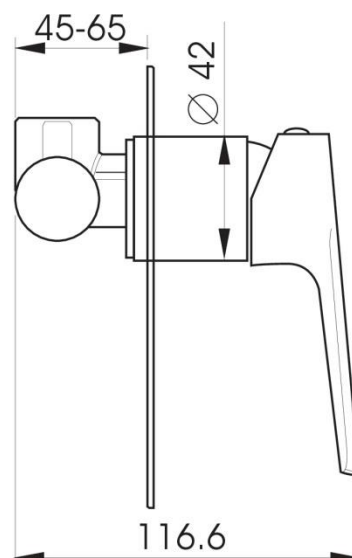
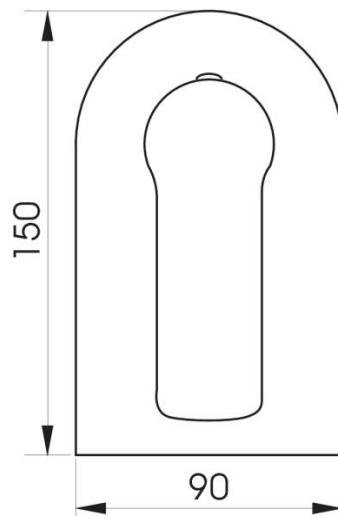
DESCRIPTION

Gemstone Wall Mixer

FEATURES

- Modern 2 tone finish
- Solid brass backing plate
- Taiwanese ceramic disc cartridge for smooth long life operation
- 10 year limited domestic warranty on mixer body, cartridge and chrome finish, 5 years on coloured finishes. Includes 1 year free labour from date of purchase

TECHNICAL DETAILS



Note: Illustrations and specifications may vary from time to time