



GEMSTONE WALL MIXER COMBO

DESCRIPTION

Gemstone Wall Mixer Combo

FEATURES

- Modern 2 tone finish
- Superior design German technology recessed housingless aerator
- Combination spout and mixer
- Solid brass backing plate
- Suitable for use over baths or hand basins
- Taiwanese ceramic disc cartridge for smooth long life operation
- 10 year limited domestic warranty on mixer body, cartridge and chrome finish, 5 years on coloured finishes. Includes 1 year free labour from date of purchase

DETAILS

35mm cartridge

WELS 3 star 8L/m

Part Code: AG-403

Available Finishes: White / Chrome

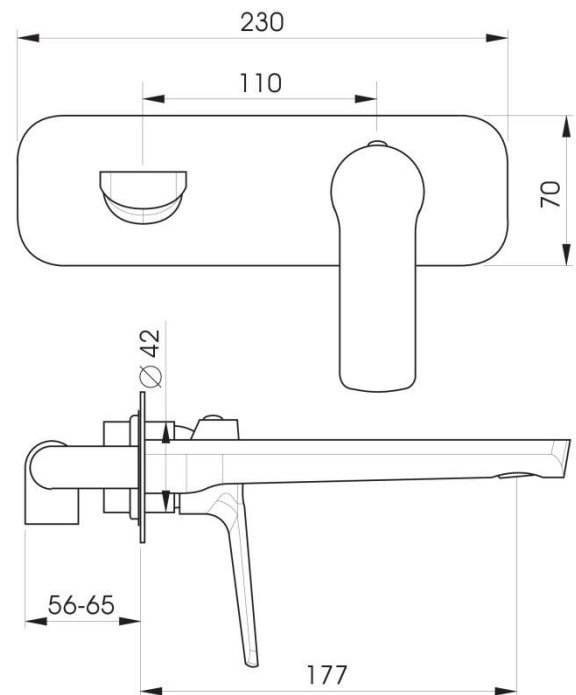
Recommended working pressure:

Min 150 – Max 500KPa

Note: If the pressure exceeds or is likely to exceed 500KPa, an approved pressure limiting device must be fitted.

Maximum hot water temperature 80°

TECHNICAL DETAILS



Note: Illustrations and specifications may vary from time to time