



## REGENCY BASIN MIXER

### DESCRIPTION

Regency Basin Mixer

### FEATURES

- Ergonomic handle design
- Sturdy solid brass construction
- Taiwanese ceramic disc cartridge for smooth long life operation
- 5 year limited domestic warranty on mixer body, cartridge and chrome finish including 1 year free labour from date of purchase

## DETAILS

40mm cartridge

WELS 3 star 8L/m

Part Code: AH-201

Available Finishes: Chrome

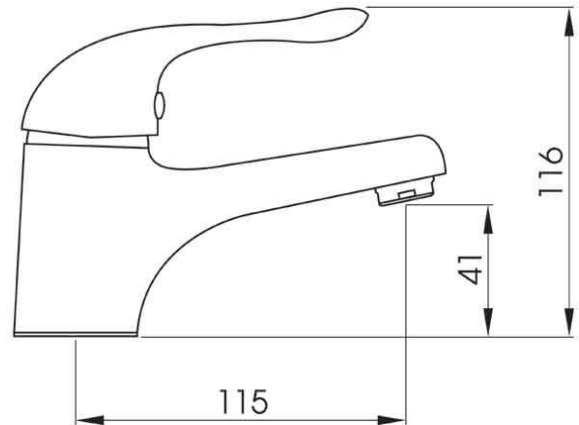
Recommended working pressure:

Min 150 – Max 500KPa

Note: If the pressure exceeds or is likely to exceed 500KPa, an approved pressure limiting device must be fitted.

Maximum hot water temperature 80°

## TECHNICAL DETAILS



Note: Illustrations and specifications may vary from time to time