



## Q4 KITCHEN SINK MIXER

### DESCRIPTION

Q4 Kitchen Sink Mixer

### FEATURES

- Pull-out design
- Dual function spray
- Solid brass construction
- Sleek design encompassing the latest up-to-date ceramic disc cartridge technology
- 10-year warranty on mixer body, cartridge and chrome finish, 5 years on coloured finishes, 1 year on all other parts. Includes 1 year free labour from date of purchase

## DETAILS

35mm Cartridge

WELS 5 Star 5L/m RN: T32413

Part Code: AQK-203B

Available Finishes: Matte Black

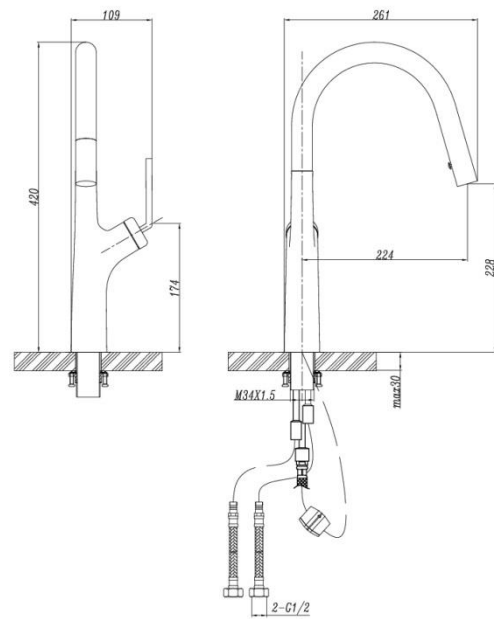
Recommended working pressure:

Min 150 – Max 500KPa

Note: If the pressure exceeds or is likely to exceed 500KPa, an approved pressure limiting device must be fitted.

Maximum hot water temperature 60°

## TECHNICAL DETAILS



Note: Illustrations and specifications may vary from time to time