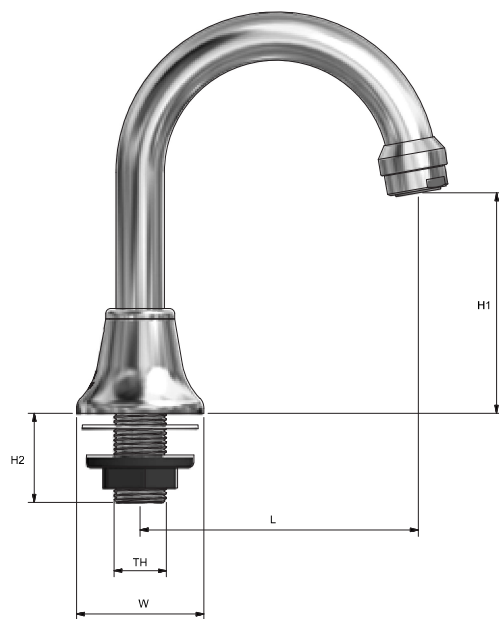


Curved Basin Spout Swivel

AW2001

Product Specifications



Specifications

Maximum working temperature 80°C

Minimum water pressure rating 150kPa

Maximum water pressure rating 1000kPa

Sizing Chart [MM]

	L	H1	H2	W	TH
AW2001	110	85	35	50	G1/2" BSP

MT MONOPOLY™
T A P W A R E



Features

Watermark approved

Chrome plated finish

Swivel Spout

Tested and certified to AS/NZS 3718



For more information on Monopoly Tapware, contact:
Austworld 15 Activity Crescent, Molendinar, Queensland 4214 Australia

P. 1300 780 430 F. 1300 780 441 E. info@austworld.com.au

Austworld Pty Ltd. All rights reserved 2018. Austworld and Monopoly Tapware are registered trade mark belonging to Austworld Pty Ltd.

AW
AUSTWORLD