

## Q4 DOUBLE BOWL RADIAL CORNER SINK

### DESCRIPTION

Q4 Double Bowl Radial Corner Sink

### FEATURES

- 15mm radial corner
- Fine lustre finish
- 1.2mm 304 stainless steel
- Underside coated with an anti-condensation layer and sound deadening rubber pads all sides
- Includes standard lift-up plug & waste and a set of undermount clips
- 25 year limited domestic manufacturer's warranty on sinks only from date of purchase

## DETAILS

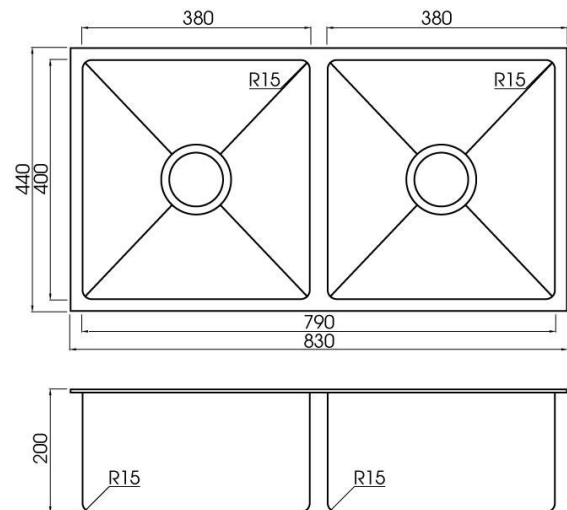
2 x 30L Capacity

Undermount or flushmount

Part Code: TKS-400R

Available Finishes: Brushed

## TECHNICAL DETAILS



Note: Illustrations and specifications may vary from time to time