



## Q4 DOUBLE BOWL RADIAL CORNER SINK ACCESSORY PACK 1

### DESCRIPTION

Q4 Double Bowl Radial Corner Sink and  
Accessory Pack 1

### FEATURES

- 15mm radial corner
- Fine lustre finish
- 1.2mm 304 stainless steel
- Underside coated with an anti-condensation layer and sound deadening rubber pads all sides
- Includes sink, dish rack, chopping board, standard lift-up plug & waste and set of undermount clips
- 25 year limited domestic manufacturer's warranty on sinks only from date of purchase
- 1 year manufacturer's warranty on sink accessories except chopping boards from date of purchase

### DETAILS

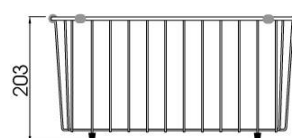
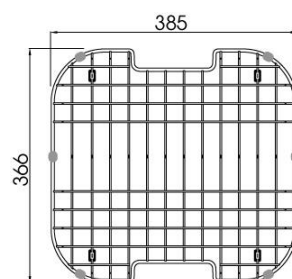
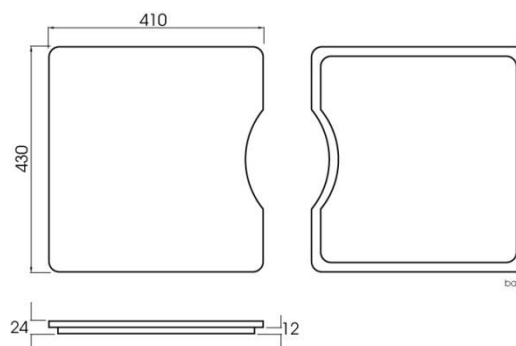
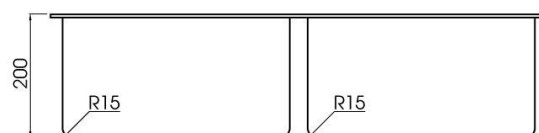
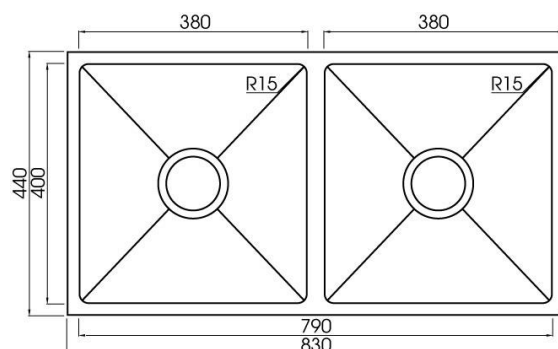
2 x 30L Capacity

Flushmount or undermount

Part Code: TKS-400RA

Available Finishes: Brushed on sink, chromed on  
dish rack

### TECHNICAL DETAILS



Note: Illustrations and specifications may vary  
from time to time