



Q4 DOUBLE BOWL RADIAL CORNER SINK ACCESSORY PACK 2

DESCRIPTION

Q4 Double Bowl Radial Corner Sink and
Accessory Pack 2

FEATURES

- 15mm Radial corner
- Fine lustre finish
- 1.2mm 304 stainless steel
- Underside coated with an anti-condensation layer and sound deadening rubber pads all sides
- Includes sink, accessory tray, chopping board, standard lift-up plug & waste and set of undermount clips
- 25 year limited domestic manufacturer's warranty on sinks only from date of purchase
- 1 year manufacturer's warranty on sink accessories except chopping boards from date of purchase

DETAILS

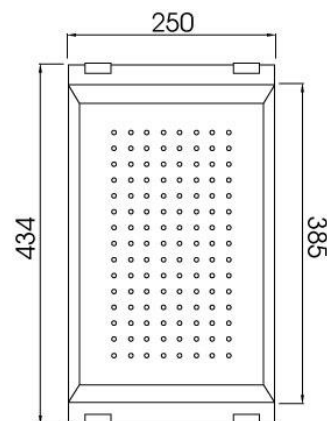
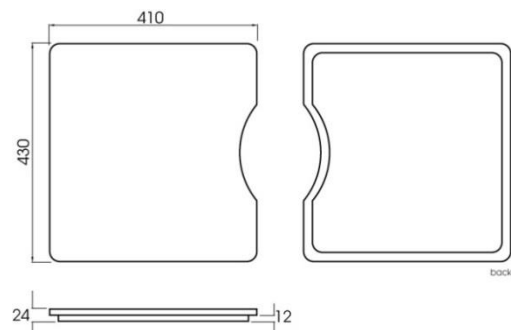
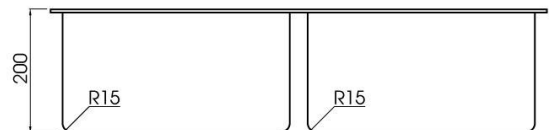
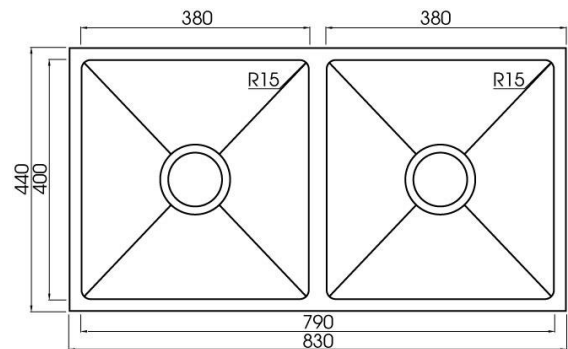
2 x 30L Capacity

Flushmount or undermount

Part Code: TKS-400RB

Available Finishes: Brushed on sink and
accessory tray

TECHNICAL DETAILS



Note: Illustrations and specifications may vary
from time to time