

Point of Use Pressure Balanced Thermostatic Mixing Valves



FM Mattsson Point of Use Pressure Balanced Thermostatic Mixing Valve for Basins, hands-free activation



Product Description

This mixer is a premium point-of-use pressure balanced TMV for basins with hands-free technology, making it perfect for application in hospitals and aged care facilities.

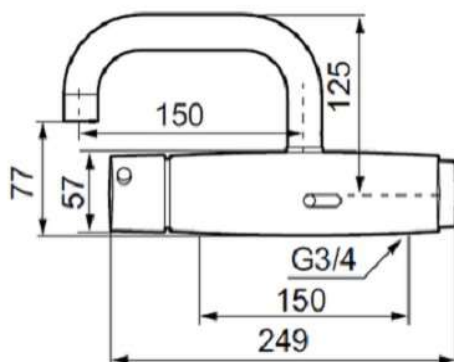
This mixer comes with a perfectly angled 150 mm arched spout equipped with a water-saving aerator. It is also equipped with thermal disinfection function to flush out any stagnant water, keeping users safe from Legionella.

Finish: Chrome plated

Application

Suitable for Hospitals, Aged Care Facilities and other Applications where a constant temperature is required. This basin mixer comes with an adjustable temperature control to deliver perfectly constant temperature within +/- 1°C, which eliminates the risk of scalding.

Product Code: 1660 2500



Features

Touch Free Activation

- To activate the mixer, simply wave a hand or finger in front of the sensor
- The mixer will run for 6 seconds and continue to run as long as there is a hand in front of its sensor

Anti - Legionella

- Equipped with a function for thermal disinfection against Legionella
- Programmable hygiene flushing, intervals and rinsing time (to avoid stagnant water)

Anti - Scalding

- Built-in temperature measurements of mixed water temperature
- Temperature handle with safety stop at 38°C
- Adjustable maximum temperature, pre-set to 42°C

Flood Safe and Water Saving

- Flush Timeout - safety shut-off to prevent flooding, a maximum of 60 seconds

Battery

- Battery operated, can be converted to mains operation

Tronic Water Management System (WMS)

- Products can be integrated with a wireless connection system called the Tronic WMS (subscription required) to log all flushings with point of time, water consumption and temperature for individual mixer or group of mixers (minimum, maximum and average values)

Benefits

- It prevents the risk of Legionella and removes possible bacteria in the water system.
- Minimum flow rate as low as 1L per minute.
- Water temperature always remains within a range of ± 1 °C
- The Built-in Pressure Balancing Piston function provides additional protection against scalding.
- The Hygiene Flush function flushes out stagnant water and ensures a regular exchange between hot and cold water, preventing bacteria growth in the system.
- Thermostatic temperature control and pressure-balancing control are all in one simple cartridge design.
- The surface area of our product is protected with Safe Touch Technology - making it cool to touch, assuring users are protected from burns.
- Using the Tronic Water management system (WMS), data from the mixer can be used to optimize water and energy consumption while also programming the mixer via an application.



FM Mattsson Point of Use Pressure Balanced Thermostatic Mixing Valve for Basins, hands-free activation



Product Description

This mixer is a premium point-of-use pressure balanced TMV for basins with hands-free technology, making it perfect for application in hospitals and aged care facilities.

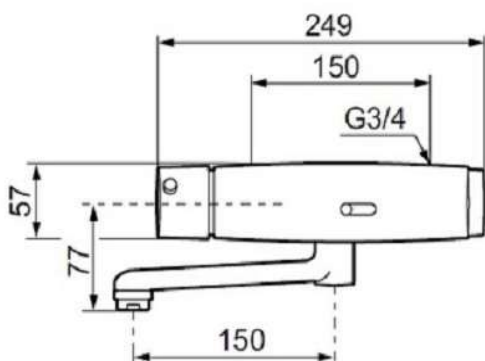
This mixer comes with a 150 mm straight spout equipped with a water-saving aerator. It is also equipped with thermal disinfection function to flush out any stagnant water, keeping users safe from Legionella.

Finish: Chrome plated

Application

Suitable for Hospitals, Aged Care Facilities and other Applications where a constant temperature is required. This basin mixer comes with an adjustable temperature control to deliver perfectly constant temperature within +/- 1°C, which eliminates the risk of scalding.

Product Code: 1661 2500



Features

Touch Free Activation

- To activate the mixer, simply wave a hand or finger in front of the sensor
- The mixer will run for 6 seconds and continue to run as long as there is a hand in front of its sensor

Anti - Legionella

- Equipped with a function for thermal disinfection against Legionella
- Programmable hygiene flushing, intervals and rinsing time (to avoid stagnant water)

Anti - Scalding

- Built-in temperature measurements of mixed water temperature
- Temperature handle with safety stop at 38°C
- Adjustable maximum temperature, pre-set to 42°C

Flood Safe and Water Saving

- Flush Timeout - safety shut-off to prevent flooding, a maximum of 60 seconds

Battery

- Battery operated, can be converted to mains operation

Tronic Water Management System (WMS)

- Products can be integrated with a wireless connection system called the Tronic WMS (subscription required) to log all flushings with point of time, water consumption and temperature for individual mixer or group of mixers (minimum, maximum and average values)

Benefits

- It prevents the risk of Legionella and removes possible bacteria in the water system.
- Minimum flow rate as low as 1L per minute.
- Water temperature always remains within a range of $\pm 1^\circ\text{C}$
- The Built-in Pressure Balancing Piston function provides additional protection against scalding.
- The Hygiene Flush function flushes out stagnant water and ensures a regular exchange between hot and cold water, preventing bacteria growth in the system.
- Thermostatic temperature control and pressure-balancing control are all in one simple cartridge design.
- The surface area of our product is protected with Safe Touch Technology - making it cool to touch, assuring users are protected from burns.
- Using the Tronic Water management system (WMS), data from the mixer can be used to optimize water and energy consumption while also programming the mixer via an application.



FM Mattsson Point of Use Pressure Balanced Thermostatic Mixing Valve for Showers, hands-free activation



Product Description

This mixer is a premium point-of-use pressure balanced TMV for showers with hands-free technology, making it perfect for application in hospitals and aged care facilities.

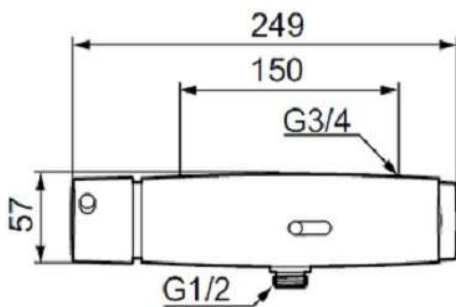
This mixer is equipped with thermal disinfection function to flush out any stagnant water, keeping users safe from Legionella.

Finish: Chrome plated

Application

Suitable for Hospitals, Aged Care Facilities and other Applications where a constant temperature is required. This basin mixer comes with an adjustable temperature control to deliver perfectly constant temperature within +/- 1°C, which eliminates the risk of scalding.

Product Code: 1680 2500



Features

Touch Free Activation

- To activate the mixer, simply wave a hand or finger in front of the sensor.
- The mixer will run for 1 minute after being activated, the sensor will then recognize the individual and continue to run as long as there is someone in front of it and after a total of 3 minutes, the mixer will turn off automatically.
- If the person leaves the area, the shower will turn off after 20 seconds.
- While showering, the mixer can be manually turned off by holding a hand or a finger against the ring on the sensor.

Anti - Legionella

- Equipped with a function for thermal disinfection against Legionella
- Adjustable hygiene flushing, intervals and rinsing time (to avoid stagnant water)

Anti - Scalding

- Built-in temperature measurements of mixed water temperature
- Temperature handle with safety stop at 38°C
- Adjustable maximum temperature, pre-set to 42°C

Flood Safe and Water Saving

- Flush Timeout - safety shut-off to prevent flooding, a maximum of 5 minutes

Battery

- Battery operated, can be converted to mains operation

Tronic Water Management System (WMS)

- Products can be integrated with a wireless connection system called the Tronic WMS (subscription required) to log all flushings with point of time, water consumption and temperature for individual mixer or group of mixers (minimum, maximum and average values)

Benefits

- It prevents the risk of Legionella and removes possible bacteria in the water system.
- Minimum flow rate as low as 1L per minute.
- Water temperature always remains within a range of ±1 °C
- The Built-in Pressure Balancing Piston function provides additional protection against scalding.
- The Hygiene Flush function flushes out stagnant water and ensures a regular exchange between hot and cold water, preventing bacteria growth in the system.
- Thermostatic temperature control and pressure-balancing control are all in one simple cartridge design.
- The surface area of our product is protected with Safe Touch Technology - making it cool to touch, assuring users are protected from burns.
- Using the Tronic Water management system (WMS), data from the mixer can be used to optimize water and energy consumption while also programming the mixer via an application.



FM Mattsson Point of Use, Lever Action Antibactus Pressure Balanced Thermostatic Mixing Valve for Basins



Product Description

This mixer is a premium point-of-use pressure balanced TMV for basins with a 170mm long lever action headwork, making it perfect for application in hospitals and aged care facilities.

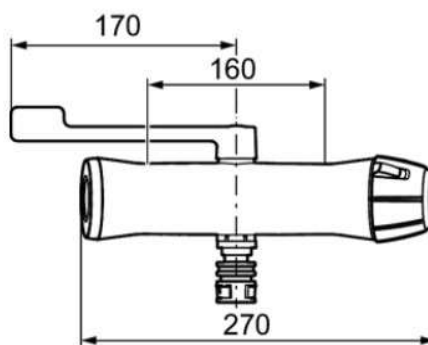
This mixer's spout must be ordered separately, different length options available. It is also equipped with thermal disinfection function to flush out any stagnant water, keeping users safe from Legionella.

Finish: Chrome plated

Application

Suitable for Hospitals, Aged Care Facilities and other Applications where a constant temperature is required. This basin mixer comes with an adjustable temperature control to deliver perfectly constant temperature within +/- 1°C, which eliminates the risk of scalding.

Product Code: 9000 E



Features

- EcoSafe® mixer
- Pressure balanced thermostatic mixer
- With ceramic sealed headwork
- On/off headwork that has a long lever on top
- Equipped with function for thermal disinfection against Legionella
- Temperature handle with safety stop at 38°C
- Approved non-return valves, EN-Standard
- EN1717Spout must be ordered separately

Benefits

- It prevents the risk of Legionella and removes possible bacteria in the water system.
- Manually operated and determined by the user for the adjustment of flow rate and time
- Minimum flow rate as low as 1L per minute.
- Pressure Balancing Piston ensures accurate constant temperature within +/- 1°C no matter what happens in the pipework.
- Thermostatic temperature control and pressure balancing control all in one simple cartridge design.

Spout Length Options

- Spout, L=100 mm, fixed, 7 l/min
- Spout, L=150 mm, fixed, 7 l/min
- Spout, L=250 mm, 7-9 l/min
- Spout, L=350 mm, 7-9 l/min
- Spout, L=450 mm, 7-9 l/min
- Spout, double linked, 11-15 l/min

