

In Wall Tundishes and Water-Tite Washing Machine Box



MAG's range of In Wall Tundishes provide simple and affordable solutions for draining washing machine hoses and air conditioning condensate discharge pipes.

Ideal for apartment buildings, hospitals, healthcare and aged care facilities.

Available Models:

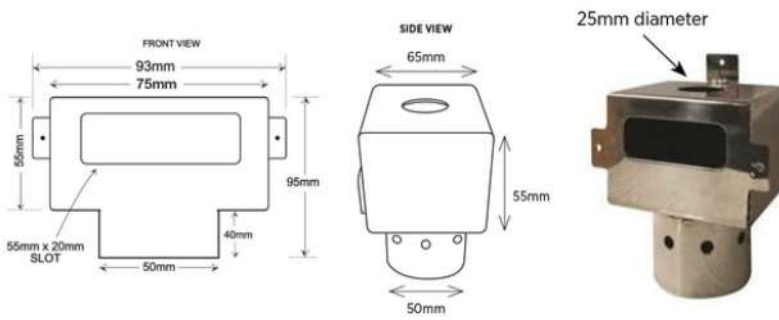
Product Code: 78000	MAG Windowed Inwall Tundish
Product Code: 78001	MAG Non-Windowed Inwall Tundish
Product Code: 78006	MAG Washing Machine Hose Tundish
Product Code: 78009 (replaces old model 78006F)	MAG Washing Machine Hose Tundish with Hinge Cover
Product Code: 78006PA	MAG Washing Machine Hose Tundish - ABS Plastic
Product Code: 78010	MAG "Clipsal Cover" (GPO) Inwall Tundish
Product Code: 78007	MAG Dialysis Inwall Tundish
Product Code: 78020	Water-Tite Wide Mouth Washing Machine outlet - compact, integrated and space saving solution for today's apartment building needs

BENEFITS

- Highly reliable and durable with unique features.
- Complete with unique MAG patented* Body Spacer and internal Baffle Plate (deflector) for our best-selling Tundishes 78006 and 78009:
 - Body Spacer can be cut to different increments to suit various wall thickness
 - Anti-splash deflector feature when using air conditioning condensate pipe.
- Easy installation.
- Simple solution for draining washing machine hoses and air conditioning condensate discharge pipes.
- Meets all Project applications at all price points.
- Different finishes available on Tundish face plate (cover): Powder Coated, Stainless Steel, Windowed or Solid.
- Can also be fitted with security fixings for anti-vandal solution.
- Custom sizes available upon request.

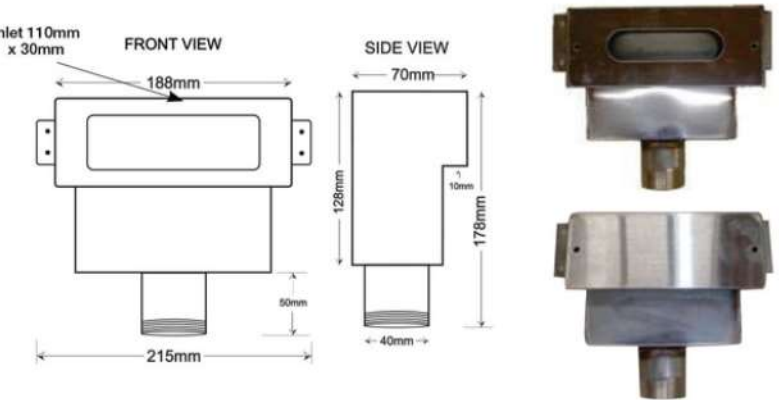
*Patent Number: 2012101742

In Wall Tundishes and Water-Tite Washing Machine Box



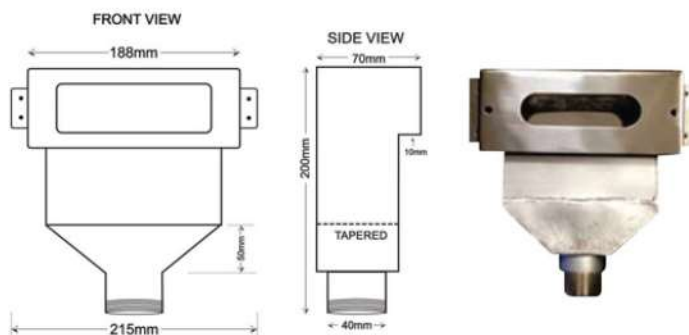
PRODUCT CODE 78010

MAG "Clipsal Cover" (GPO) Stainless Steel In Wall Tundish – designed so a blank Clipsal cover can be fitted. With built-in airbreak used for single condensate drains. Clipsal cover and fixing screws available, but not included.



PRODUCT CODE 78000 (window face)
PRODUCT CODE 78001 (non-window face)

MAG Stainless Steel In Wall Tundish with built in airbreak and **windowed face plate / non-windowed face plate** for single or multiple condensate drain pipes – providing mechanical air gap. Fixing screws are included.



PRODUCT CODE 78007

MAG 'Dialysis' Stainless Steel In Wall Tundish with **tapered base**, built in airbreak and windowed face plate. Fixing screws are included.

For dialysis applications - providing discharge point and mechanical air gap.

Benefits:

- Highly reliable and durable with unique features.
- Simple, affordable solutions for draining washing machine hoses and air conditioning condensate discharge pipes.
- Different finishes available on Tundish face plate (cover): Powder Coated, Stainless Steel, Windowed or Solid.

- Can also be fitted with security fixings for anti-vandal solution.
- Fits into 60mm stud wall.
- Outlet 40mm.
- Custom sizes available upon request.

Note: Dimensions are indications only. Please check as these may change from time to time.

In Wall Tundishes

PRODUCT CODE 78000 (window faced)
78001 (non-window faced)

Stainless Steel In Wall Tundish with built in airbreak and windowed face plate / non windowed face plate.

- Designed for single or multiple condensate drain pipes - providing mechanical air gap
- Different finishes available on Tundish face plate (cover): Powder Coated, S/Steel or Solid
- Tundish face plates can also be fitted with security fixings for anti-vandal solution
- Fixing screws included
- Custom sizes available upon request
- Easy and economical to set up for air conditioning discharges
- Easily removed face plate

