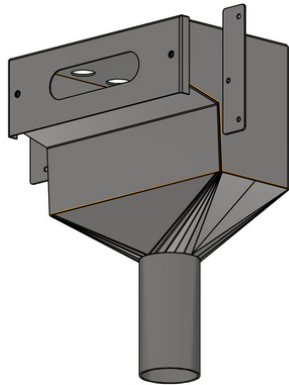




# MAG Renal Dialysis Inwall Tundish with Overflow Gap and Clear Perspex Cover



## Product Information

MAG Renal Dialysis Inwall Tundish overflow gap and clear perspex cover with a mechanical air break. Designed to avoid blockages of medical wastes.

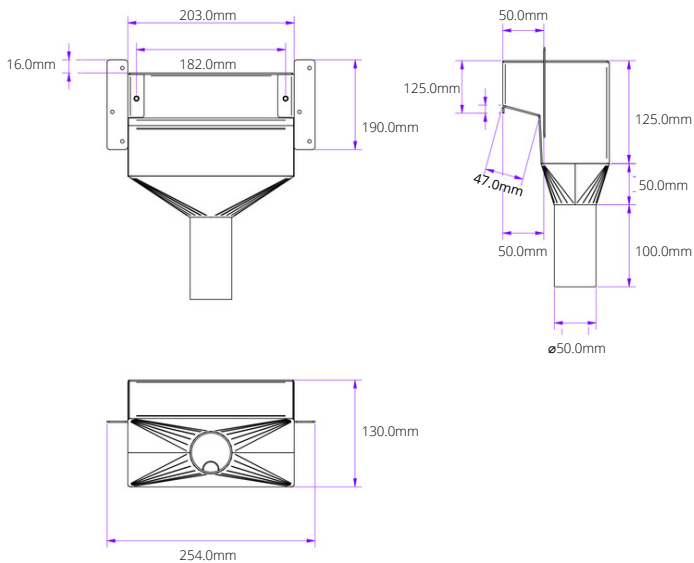
## Features and Benefits

- Inwall Renal dialysis
- Easy, economical setup
- 4 discharge points with a mechanical air break and overflow opening
- Fully tapered base of tundish, designed to avoid blockages of medical wastes, easily cleaned
- Fits into 90mm stud wall
- Outlet is  $\varnothing 50.0\text{mm}$
- Window cover plate/face included for visual inspection
- Removable window cover plate
- Can also be fitted with security fixing for anti vandal solution

## Product Code

Code	Description
78050/MP	MAG Renal Dialysis Inwall Tundish with Overflow Gap and Clear Perspex Cover

## Technical Drawings



Dimensional data (mm) are subject to manufacturing tolerances and change without notice.