



COMPATTO DEEP MULTI-BOWL SINK AP1

DESCRIPTION

Compatto 1 & ½ Bowl Radial Corner Sink
Accessory Pack 1

FEATURES

- Hand fabricated
- 1.2mm 304 stainless steel
- Australian 'registered' design
- IP Design no. 202016250
- Minimal look, maximum capacity and practicality
- 610 x 440 x 225mm deep bowls
- 10mm radial corners
- Brushed finish
- Anti-condensation coating
- Sound deadening rubber pads all sides
- AP1: Includes sink, dish rack, chopping board, quality positive action deluxe basket wastes
- 25 year manufacturer's warranty domestic use, 7 year for commercial use from date of purchase, sink only
- 1 year manufacturer's warranty on sink accessories

DETAILS

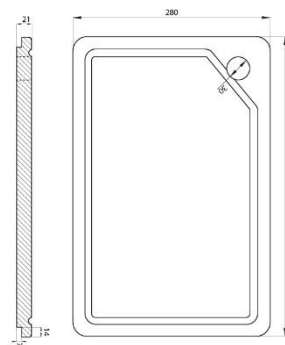
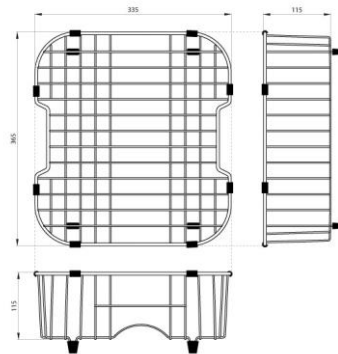
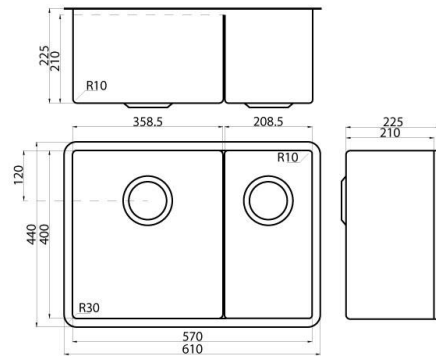
30/17.5L Capacity

Undermount or flushmount

Part Code: TKS-C200RA

Available Finishes: Brushed on sink, chrome on dish rack, chopping board natural timber

TECHNICAL DETAILS



Note: Illustrations and specifications may vary from time to time