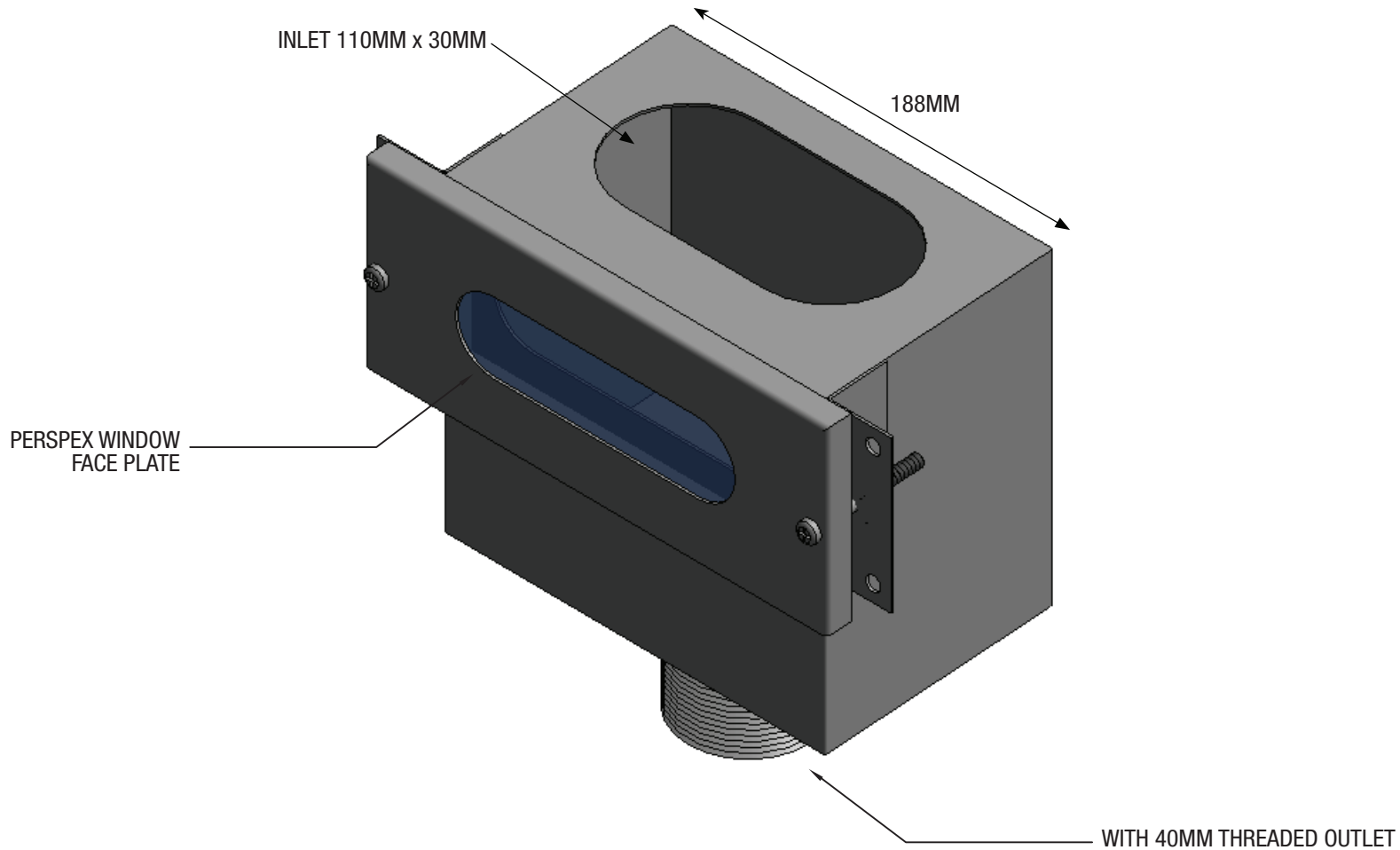


In Wall Tundishes

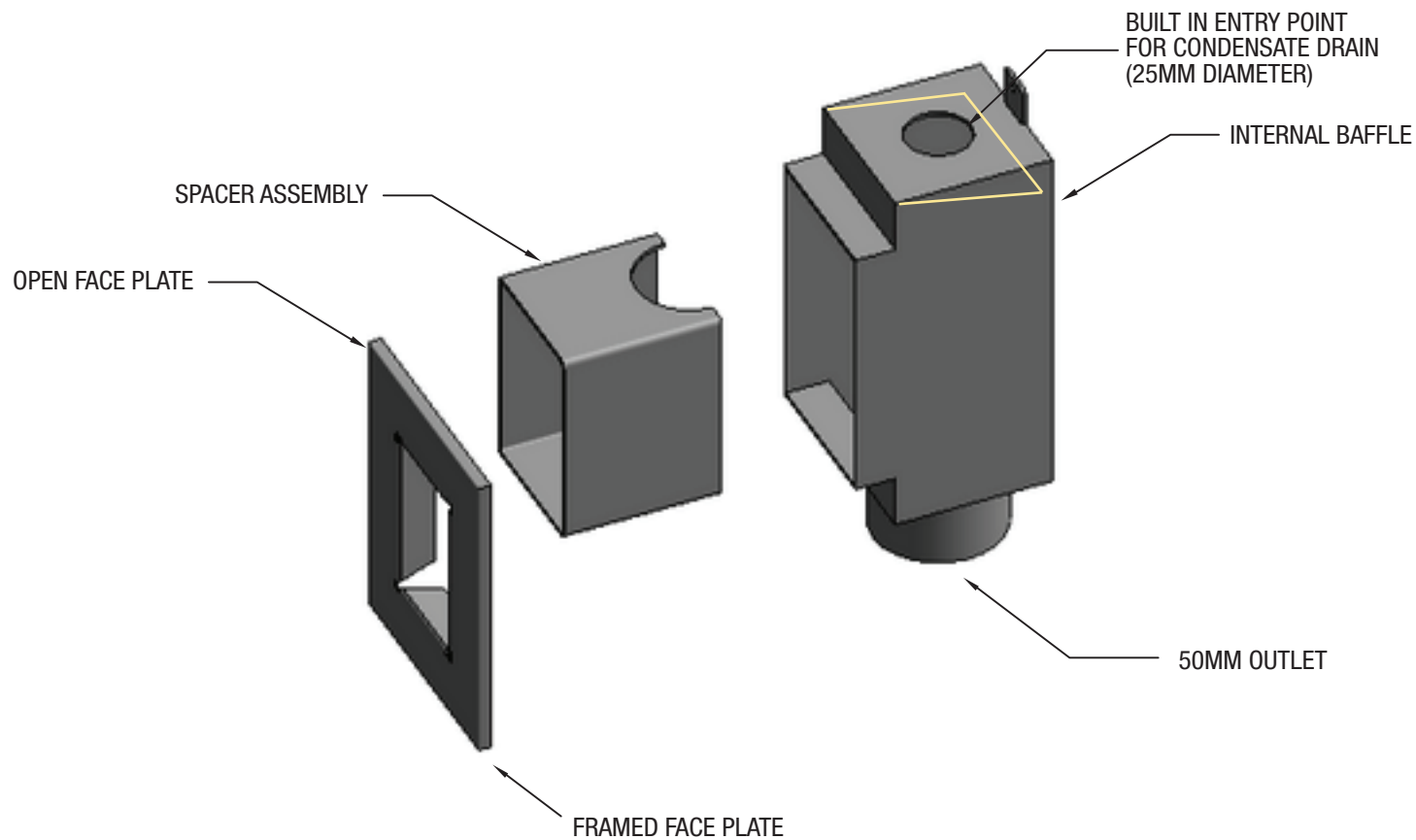


PRODUCT CODE 78000 (window faced)
78001 (non-window faced)

Stainless Steel In Wall Tundish with built in airbreak and windowed face plate / non windowed face plate.

- Designed for single or multiple condensate drain pipes - providing mechanical air gap
- Different finishes available on Tundish face plate (cover): Powder Coated, S/ Steel or Solid
- Tundish face plates can also be fitted with security fixings for anti-vandal solution
- Fixing screws included
- Custom sizes available upon request
- Easy and economical to set up for air conditioning discharges
- Easily removed face plate

In Wall Tundishes



PRODUCT CODE 78006

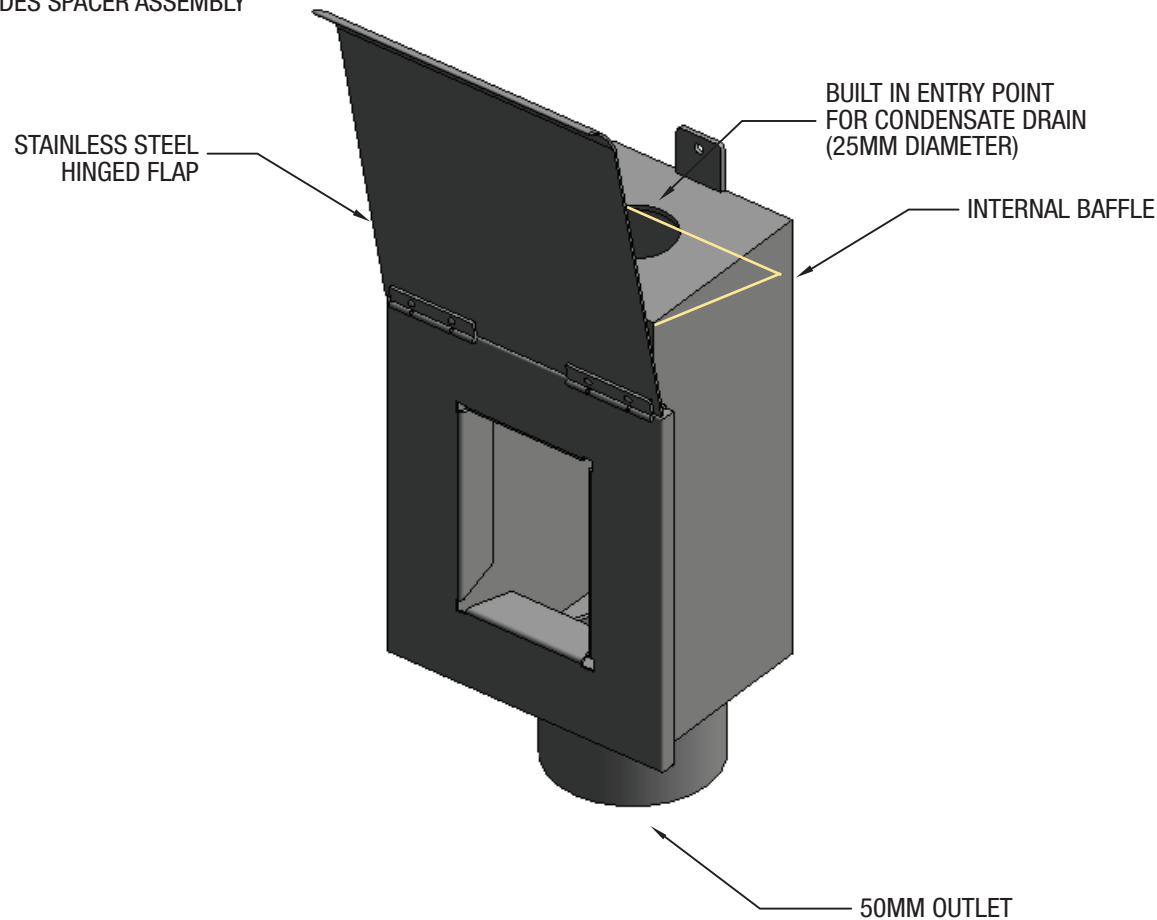
Stainless Steel In Wall Washing Machine Tundish with open face plate. Complete with MAG patented* Body Spacer and internal Baffle Plate (deflector).

- Highly reliable and durable with unique features
- Patented Body spacer can also be cut to different increments to suit various wall thickness
- Easy installation
- Simple, affordable solution for draining Washing machine hoses and air conditioning condensate discharge pipes in apartment buildings
- Powder Coated option available on face plate (cover)
- Tundish face plates can also be fitted with security fixings for anti-vandal solution
- Fits into 60mm stud wall
- Fixing screws not included

*Patent Number: 2012101742

In Wall Tundishes

INCLUDES SPACER ASSEMBLY



PRODUCT CODE 78009

Stainless Steel In Wall Washing Machine Tundish with hinged flap face plate. Complete with MAG patented* Body Spacer and internal Baffle Plate (deflector).

- Highly reliable and durable with unique features
- Patented Body spacer can also be cut to different increments to suit various wall thickness
- Easy installation
- Simple, affordable solution for draining Washing machine hoses and air conditioning condensate discharge pipes in apartment buildings
- Powder Coated option available on face plate (cover)
- Tundish face plates can also be fitted with security fixings for anti-vandal solution
- Fits into 60mm stud wall
- Fixing screws not included

*Patent Number: 2012101742