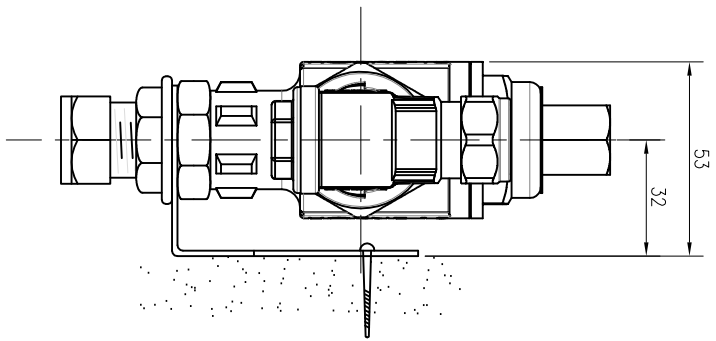


* VALVE CENTRE TO INLET PIPE END



COPYRIGHT 2019, HORNE ENGINEERING LTD. ALL REPRODUCTION PROHIBITED UNLESS AUTHORISED IN WRITING		HORNE ENGINEERING LTD.	
PART : GENERAL ARRANGEMENT		JOHNSTONE	
PRODUCT : H15-12B/C		RENFREWSHIRE	
SCALE	DO NOT SCALE		
DRAWN	MJ 28.6.04		
CHECKED	SR 20.5.19		
ISSUE	2	DR'G. No. PA579/A	